

LEXYZ27 Order Form

Date _____
 AVFI Sales REP _____
 Customer Signature _____

Quote No. _____
 Customer No. _____
 AVFI No. _____

Office Use Only

To generate your order form, please refer to the information provided below to insert the alphabetic and/or numeric code in the respective category boxes. Please note that without this filled out Order Form, your purchase **cannot** be processed.

1	2	3	4
Product Model	Finish	Chargeable Accessories (One Code Per Box)	Custom Cutouts
LEXYZ27			

1 Choose Model Style (Front Panel)



Code **LEXYZ27**

2 Choose Product Finish

Standard Finishes (Ships within 1-15 business days)



Code **BCL**
(Burma Cherry)



Code **BRL**
(Baroque)



Code **CHL**
(Cherry Hill Plank)

Optional Finishes (Ships within 20 business days)



MPL



BWL



ARL



WHL



STL



BKL

3 Chargeable Accessories (Check all that apply)

- Code **00** No Accessories
- * Code **D1** MIC-18 MX418 S/C MicrophoneQty _____
- * Code **D2** LIGHT-18 Gooseneck LightQty _____
- Code **E1** PB 6 Outlet Power Bar.....Qty _____
- Code **E3** CUB3 Round Cable WellQty _____
- * Code **E7** PC-PATCH Power-Data ModuleQty _____
- * Code **EA** CUB4S Silver Power PanelQty _____
- * Code **EB** CUB4B Black Power PanelQty _____
- * Code **EF** CHGQIB Wireless Charging Station Black.....Qty _____
- * Code **EJ** CUB22 Power Panel.....Qty _____
- * Code **EK** CUBM3 3-Module Power & Data Panel.....Qty _____
- * Code **EL** CUBM4 4-Module Power & Data Panel.....Qty _____

* Cutout Required (Extra Charges will apply)

Notes

CAD Drawings/Symbols

CAD drawings are available by request at sales@vegroup.net

Custom Cutouts

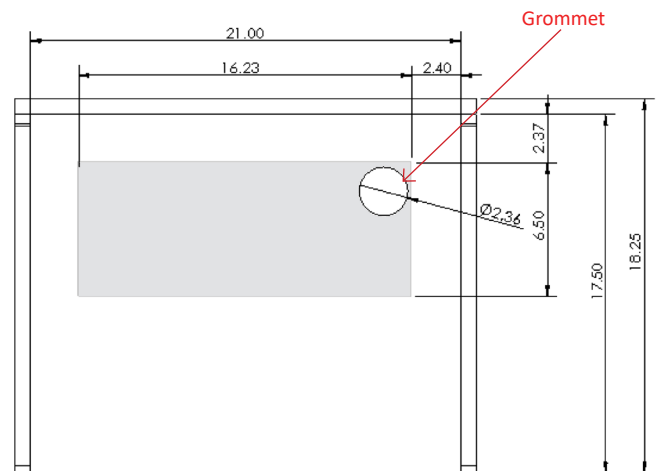
Estimated lead time within 20 business days from receipt of P.O. and signed drawings.

Customizations

Modifications to design such as shape and/or size variations have to be quoted on a per case basis and are applicable for quantities of 10+ only.

4 Custom Cutout Option (Extra charges will apply)

Please indicate custom cutout location on the drawing below



Code **C0** No Custom Cutout

Code **CC** Custom Cutout (Specify on Cutout Area Above)

Cutout Area (16.23"W X 6.50"D)

Comments (Please use this section to provide additional information)